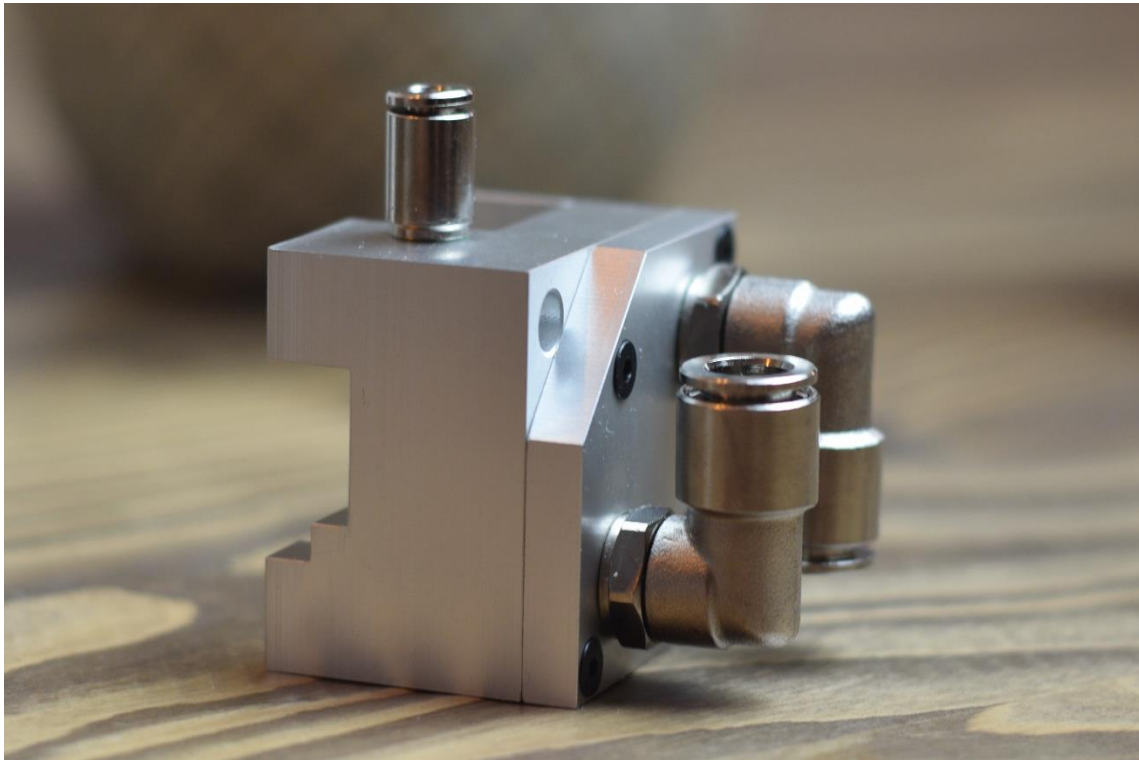


m e b s

Hemera Waco

Mod

Made for E3D Hemera



08.03.2021



Summary

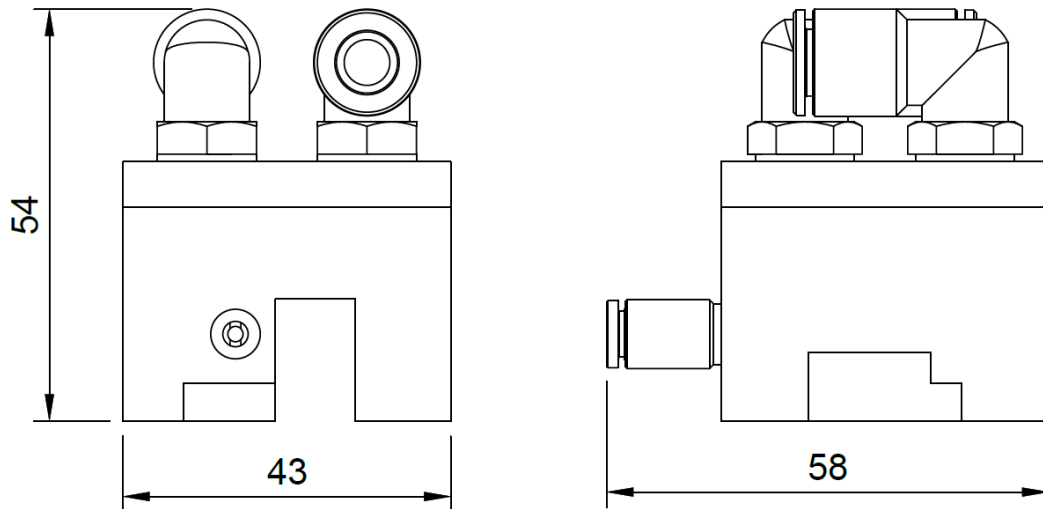
- Water cooling mod for E3D Hemera
- Replaces the standard air cooling
- Anodized, CNC machined aluminum body
- Fully plug & play

Included components

- Cooling body: Nature anodized aluminum
- Top cap: Nature anodized aluminum
- Sealing: 2 x O Ring NBR 70 35 x 1,5
- Screws:
 - 2 x M3 x 30 socket head DIN 912 black
 - 4 x M3 x 10 flat head ISO 10642 black
- Push fittings:
 - 2 x Festo NPQH-L-G18-Q6-P10
 - 1 x Festo NPQH-DK-M5-Q4-P10
- Pin: DIN 7 A1 4 X 24 h8
- L-Keys:
 - 1 x ISO 2936 steel Hex 2 tempered
 - 1 x ISO 2936 steel Hey 2,5 tempered
- Thermal paste: 0,5 g Termopasty Paste H
- Inlay: 1,5 mm cardboard
- Box: Sheet metal
- Card: 400g Graspaper



Dimensions and weight



Weight with all parts: 159 g

Advice

The maximum chamber temperature is set by the components from E3d. The motor should not exceed a temperature of 85 °C.

The mebs Hemera WaCo Mod has a maximum working temperature of 130 °C.

The maximum printing temperature is 500 °C. This is only possible with a copper hotend!

No liability is accepted for damage to devices and / or components! Installation and use are at your own risk.

Specific data on individual components can be found in the manufacturer's data sheets.

When using a copper radiator, it is essential to add a coolant, as otherwise corrosion can occur.